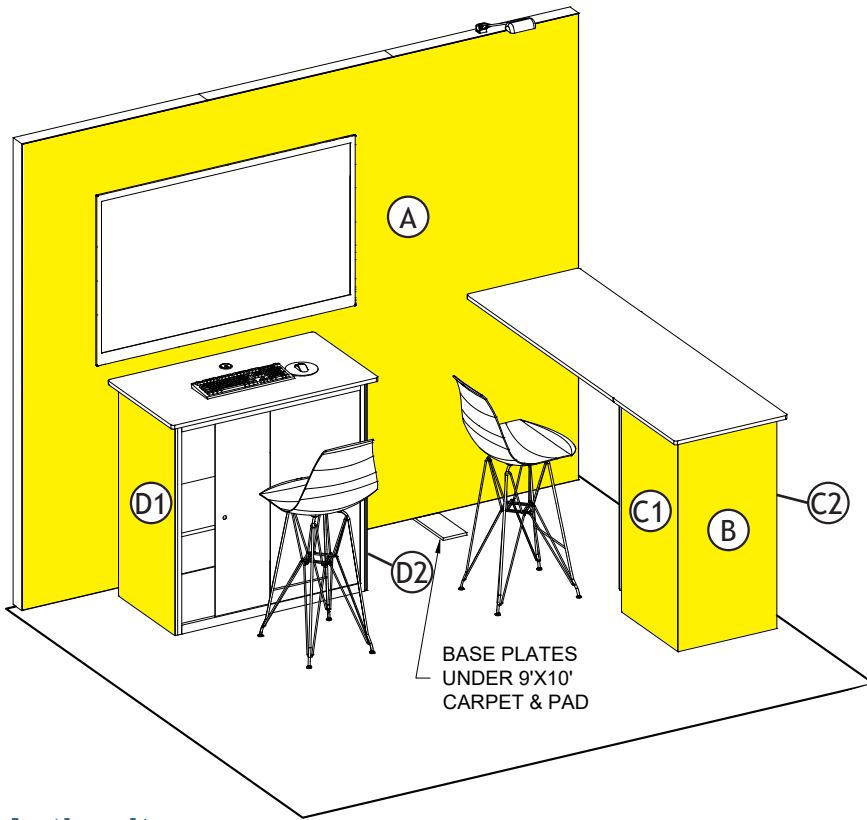


10' x 10' Turnkey Booth Option B

HIMSS21

August 9-13, 2021 | Las Vegas

Consumerism/Patient Engagement Booth C437



Package Includes:

- Exhibit structure & production of graphic panels
- Labor to install & dismantle exhibit
- Wastebasket
- (2) Barstools
- Carpet
- (1) 46" monitor with media player
- (1) Arm light
- Electrical with multistrip
- Daily cleaning of exhibit
- Shared internet line

Please provide artwork for Highlighted Panels. Panels that are not highlighted will be the show look.

Action Items:

Step 1) MUST Name File as indicated below:

CompanyName_Pavilion_Booth#CXXX-XX

Example: HIMSS_Consumer_BoothC437-XX

Step 2) Upload Graphic File BEFORE JUNE 8, 2021:

[SUBMIT Graphic File](#)

Items to Upload

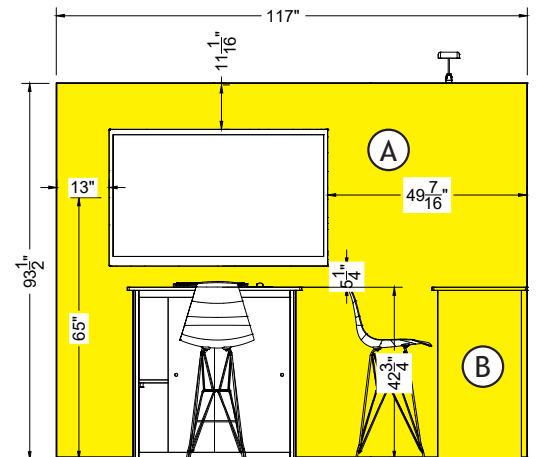
Graphic Panel:

A: 117" x 93" see diagram for visible areas

B: 20.75" x 42"

C: (2x) 20.5" x 42"

D: (2x) 20.5" x 42"



Deadline to Submit Graphic files to Freeman: June 8, 2021

*Additional fees will be applied to late submissions

Download Freeman Graphics Guidelines:

Our desire is to provide you with the best possible quality graphics for your kiosk. You can help us in that effort by providing digital graphics that meet minimum requirements. To download pdf file that gives complete Graphic guidelines for submitting artwork, click here:

<https://envision.freeman.com/show/download/41502>

NOTE: The graphic files uploaded will be considered production ready for print. A proof will not be provided.

For questions regarding this process please contact: [Moriah Hathaway- moriah.hathaway@himss.org](mailto:Moriah.Hathaway@himss.org)

FREEMAN